

## LUNERA T5HO 4FT X 2 LED RETROFIT KIT

50W LED 2-Lamp Replacement Kit for 4FT T5HO Fluorescent Lamps

Type C - External Driver

### Description

The **LUNERA T5HO LED 2-LAMP RETROFIT KIT** consists of two 4FT T5HO LED lamps and a 0-10V dimmable external LED driver, which operates off of 120V-277V AC.

The 50W kit replaces two 4FT T5HO fluorescent lamps, up to 108W and the fixture's T5HO ballast.

Each Lunera 4FT T5HO LED lamp in the kit emits beautiful light with a 330° Beam Angle, has a Color Rendering Index (CRI) of >80. The kit delivers up to 7,000 lumens of usable light. The kitted 4FT LED lamps feature a glass tube for improved optics and are available in 3000K, 3500K, 4000K and 5000K color temperatures.

The kit's lamps are rated at 50,000 hours and backed by an extended seven-year warranty. These lamps do not contain mercury allowing for non-hazardous waste disposal.

This is a Type C kit. The lamps are driven by the kit's external LED driver. The kit does NOT support line voltage or fluorescent ballasts.



### Features

- Directly replaces two 54W T5HO fluorescent lamps with two 25W LEDs
- Type C Lamp -- External LED driver supports 120V~277V installation
- Delivers up to 3,500 lumens of usable light per lamp (7,000 lumens per kit)
- >80 CRI
- Dimmable with 0-10V dimmers
- CCT 3000K, 3500K, 4000K and 5000K
- 50,000 hours life to L70
- Extended seven-year warranty



### Ordering Information

Example: HN-T5-KIT2-48-25W-830-G1

Series	Socket Type	Kit Configuration	Dimension	Per Lamp Wattage	CCT	Generation
<b>HN</b> Lunera T5HO	<b>T5</b> Bi-pin G5 Shunted or Non-shunted sockets	<b>KIT2</b> Two LED Lamps + 1 LED Driver	<b>48</b> 45 inch tube	<b>25W</b> Replaces 54W with 3,500lm (per lamp)	<b>830:</b> 3000K <b>835:</b> 3500K <b>840:</b> 4000K <b>850:</b> 5000K	<b>G1</b> 1st Generation Frosted

PROJECT	CONTACT	MODEL NO.
REFERENCE NO.	QUANTITY	DATE

## Product Specifications - Lamps

### Illumination

Color Temperatures	3000K, 3500K, 4000K, 5000K
Delivered Lumens per lamp	Up to 3,500lm per lamp
CRI	>80
Color Consistency	Lunera TruColor Selection
Lumen Maintenance (L70)	50,000+ hours life

### Electrical System

Input Voltage	From LED Driver
Lamp Power	25W per lamp
Lamp Wattage Replaced	Up to 54W per lamp
System Power (Lamp+Driver)	29W per lamp
Dimming	Yes [0-10V Dimmers]

### Physical

Weight	0.25 lbs per lamp 0.40 lbs per driver
Housing and Finish	Glass, White
Optics	Optical Glass Diffusion
Beam Angle / Beam Spread	330°/230°

### Environment

Ambient Operating Temp	-40°F to 104°F (-40°C to 40°C)
Ambient Operating Humidity	Dry and Damp Certified

### Installation

Socket Type	T5HO Mini Bi-pin G5 socket (Shunted & Non-Shunted Tombstone)
Line Voltage	No, this lamp is NOT approved for use with line voltage.

### Certifications & Qualifications

UL (US and Canada)	Classified (UL1598-C)
RoHS Compliant	Contains no lead or mercury
FCC*	Complies with Part 15A
DesignLights Consortium Listed	Yes, 4.3
LM79, LM80, IES Files	Available. Contact Lunera.

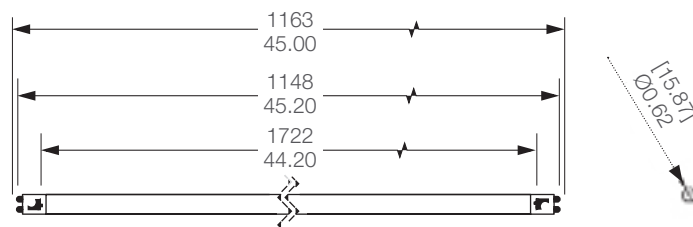
### Warranty

Warranty	Seven-years
----------	-------------

\* Operation is subject to the following conditions:

- (1) this device may not cause harmful interference and
- (2) this device must accept any interference received, including interference that may cause undesired operations.

## Dimensions - Lamps



## Application Notes - Lamps

This lamp supports Shunted and Non-Shunted tombstones.

Do NOT install this lamp directly into line voltage or with a fluorescent ballast.

This lamp with the kitted driver supports dimming with 0-10V dimmers.

*Product Warranty will be voided* under the following conditions or if installed into the following applications:

- Lamp installation into line voltage or with a ballast
- Lamp installation in a gasketed, fully enclosed fixture
- Lamp installation into line voltage out of operating range
- Lamp installation into fixture with cracked, broken, dirty or rusted tombstone sockets
- Incorrect lamp/driver installation
- Incorrect tombstone socket wiring

## CAUTION

Turn power OFF when installing the lamp.

**CAUTION** - IF THE LAMP OR LUMINAIRE EXHIBITS UNDESIRABLE OPERATION (BUZZING, FLICKERING, ETC.), IMMEDIATELY TURN OFF POWER, REMOVE LAMP FROM LUMINAIRE AND CONTACT MANUFACTURER.

## Product Specifications - LED Driver

### Electrical System

Power Factor	>0.9
Total Harmonic Distortion	< 20%
Input Voltage	120 ~ 277VAC Nominal Operating Range 108~305VAC
LED Driver Efficiency	@ 120V 86% @ 277V 87%
Input Frequency	50Hz/60Hz
Maximum Input Current	600mA
Electrostatic Discharge (ESD)	4kV (IEC 61000-4-2 Level 2)
Transient Protection	Integrated - complies with IEC C.62.41-1991 Class A
Dimming	Yes, with 0-10V Dimmers

### Physical

Weight	0.40 lbs
--------	----------

### Environment

Ambient Operating Temp	-40°F - 131°F
Ambient Operating Humidity	Dry and Damp Certified

### Certifications & Qualifications

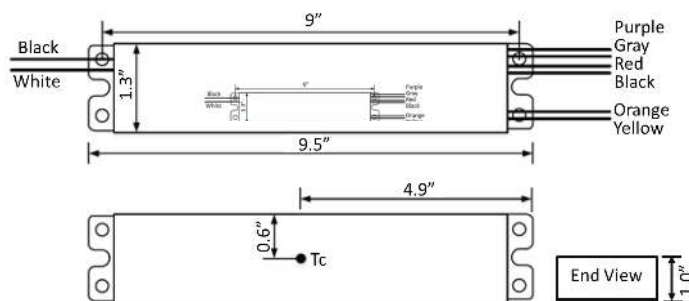
UL (US and Canada)	Classified (UL8750 and UL1310 Class 2)
RoHS Compliant	Contains no lead or mercury
FCC*	Complies with Part 15A/B
DesignLights Consortium Listed	Yes, 4.3

For Lamp specifications, refer to the Product Specifications table on page 2.

\* Operation is subject to the following conditions:

- (1) this device may not cause harmful interference and
- (2) this device must accept any interference received, including interference that may cause undesired operations.

## Dimensions - LED Driver



## Application Notes - LED Driver

This driver supports dimming with 0-10V dimmers.

*Product (lamps+driver) warranty will be voided under the following conditions or if installed into the following applications:*

- Driver installation in a gasketed, fully enclosed fixture
- Driver installation into line voltage out of Driver operating range
- Incorrect lamp/driver installation

## CAUTION

Turn power OFF when installing the driver.

## Kit Components

The lamps and driver components that comprise the kit have associated UL, FCC, LM79, LM80, DLC and IES reports available. The table below is provided to document the correlation between the kit's components, which are not individually orderable and the Kit SKU, which is orderable.

	Ordering/Component ID Number	Listings/Reports	Orderable?
Kit	HN-T5-KIT2-48-25W-8yy-G1	DLC 4.3	Yes
Lamp	HN-T5-EX-48-25W-8yy-G1	UL Classified FCC Compliance LM79, LM80, IES	No
Driver	HNPS-T5-U-2x28W-I3580-G1	UL Classified FCC Compliance	No

Where yy = CCT:      30 = 3000K    35 = 3500K  
                                  40 = 4000K    50 = 5000K