

LUNERA HID LED LAMP

LED Replacement for High Intensity Discharge Lamps

[9,000lm / 4,500lm]

E26 Medium Base - Vertical Mount - Ballast Driven



Description

The LUNERA HID LED lamp is a Ballast Driven plug-and-play LED replacement for Metal Halide (MH) and High Pressure Sodium (HPS) lamps with an E26 Medium base. This lamp replaces 250W ~ 70W MH and HPS lamps in lighting applications such as High Bay, Low Bay and Parking Garages.

Lunera HID LED lamps feature a significantly lower energy consumption than conventional (High Intensity Discharge) HID lamps. These lamps deliver over 60% energy savings and have a rated life of 50,000 hours – 3 times longer than that of HID lamps. Lamp configuration options include: vertical and vertical short neck. An optional Type V lens is available for maximum light distribution.

These lamps are truly plug-and-play by using Lunera's BallastLED technology. It allows them to operate directly off of existing magnetic HID ballasts.

The Lunera HID LED lamp is available in a range of color temperatures including 3500K, 4000K and 5000K. Lamp configuration options include a vertical short neck, a 10% uplight, and a Type V lens. It delivers consistent light levels across its long life, which results in a high quality lighting experience for the building's occupants.



9,000lm
4,500lm
V, VU



9,000lm
4,500lm
VS, VSU

Features

- Replaces 250W ~ 70W Metal Halide (MH) and High Pressure Sodium (HPS) lamps
- Ballast Driven plug-and-play installation; with existing magnetic HID ballast
- Works well in enclosed fixtures
- Up to 9,000 and 4,500 lumens fixture delivered light output
- Yields 60%-80% energy savings
- >80 CRI
- CCT 3500K, 4000K and 5000K
- Supports E26 medium base HID sockets
- Thermal IQ to support ambient temperatures up to 150°
- Uplight Option with 10% uplight illumination (VSU, VU), Neck Length Option (VS) for short fixtures, Type V Lens Option, ideal for parking garages



Ordering Information

Example: SN-V-E26-B-4.5KLM-840-G3

Series	Version	Socket Type	Power Supply	Lamp Lumens	CCT	Generation
SN: Lunera HID LED	V: Vertical Standard VS: Vertical Short Neck VU: Vertical Uplight Standard VSU: Vertical Uplight Short Neck	E26: Fits in medium (E26) base HID socket	B: Plug-and-Play Magnetic HID Ballast	9KLM: 9,000lm 4.5KLM: 4,500lm	835: 80CRI / 3500K 840: 80CRI / 4000K 850: 80CRI / 5000K	G3: 3rd Generation

PROJECT	CONTACT	MODEL NO.
REFERENCE NO.	QUANTITY	DATE

For Technical Support:

www.lunera.com

T (650) 241-3874

1 of 4

<https://lunera.com/freshdesk.com/support/home>

Performance Specifications - Vertical Mount Lamp - 9,000lm / 4,500lm

	9,000 lumens	4,500 lumens
Illumination		
Color Temperatures	3500K, 4000K, 5000K	3500K, 4000K, 5000K
Lumens	<u>V-Std Neck</u> 3500K: 8,817lm 4000K: 8,794lm 5000K: 9,170lm	<u>VS-Short Neck</u> 3500K: 8,872lm 4000K: 8,990lm 5000K: 9,144lm
	<u>V-Std Neck</u> 3500K: 4,644lm 4000K: 4,800lm 5000K: 4,911lm	<u>VS-Short Neck</u> 3500K: 4,684lm 4000K: 4,926lm 5000K: 4,843lm
Color Consistency	Lunera TruColor proprietary process	Lunera TruColor proprietary process
Lumen Maintenance (L70)	50,000+ hours life	50,000+ hours life
Electrical System		
Input Voltage	Dependent of HID ballast	Dependent of HID ballast
Average Lamp Power	103W	58W
Lamp Wattage Replaced	250W/175W/150W/100W/70W	250W/175W/150W/100W/70W
Physical		
Dimensions (H x W)	8.18" x 6.31" (Vertical Long) 5.01" x 6.31" (Vertical Short)	8.18" x 6.31" (Vertical Long) 5.01" x 6.31" (Vertical Short)
Weight	1.8lb (Vertical Long) 1.5lb (Vertical Short)	1.8lb (Vertical Long) 1.5lb (Vertical Short)
Housing and Finish	Painted	Painted
Heat Sink Size	6"	6"
Configuration	Vertical, Vertical Short Neck (V, VS)	Vertical, Vertical Short Neck (V, VS)
Lens	Frosted or Type V Option	Frosted or Type V Option
Environment		
Ambient Temperature*	-40°F to 150°F*	-40°F to 150°F*
Humidity Rating	Damp OK, no direct water spray	Damp OK, no direct water spray
Fixture Type	Open or enclosed	Open or enclosed
Installation		
Socket Type	Fits vertical mount medium base (E26) HID socket	Fits vertical mount medium base (E26) HID socket
Certifications & Qualifications		
UL	Classified / Recognized US, CAN	Classified / Recognized US, CAN
RoHS Compliant	Contains no lead or mercury	Contains no lead or mercury
LM79, LM80, IES Files	Available	Available
DesignLights Consortium (DLC)	No category available	No category available
Warranty		
Warranty	5 years	5 years

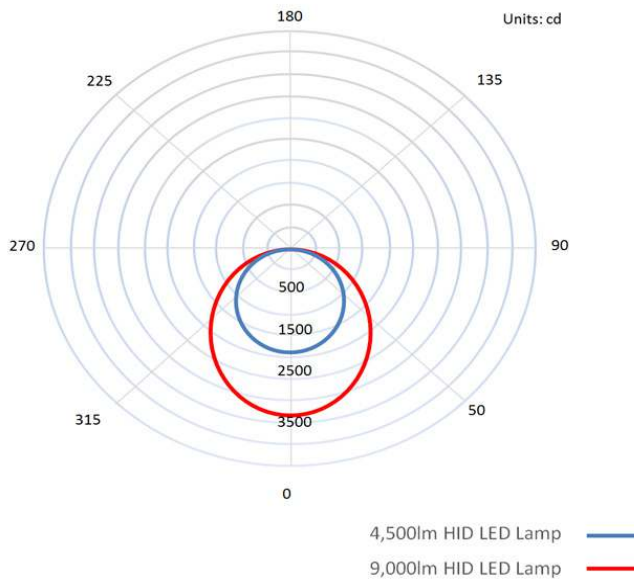
*Thermal IQ is a proprietary Lunera technology which enables the Susan Lamp to operate reliably up to 150°F ambient by dimming itself at extreme temperatures based upon thermal characteristics of the fixture in which it has been installed.

*Lamp dimming profiles subject to dimmer type and environmental conditions. Contact Lunera for more detailed information.

Photometry

Optical data is based on performance of bare lamps.

Polar Candela Distribution [9,000lm / 4,500lm] - Low Bay Luminaire







Lens Type V Option



Intended Applications

The Lunera HID LED lamp is designed to replace Metal Halide (MH) and High Pressure Sodium (HPS) lamps in the following compatible applications:

Wattage Compatibilities	Sockets	Power Source	Mount
Lunera HID LED Medium (E26) Base  175W - 70W MH or HPS	E26 Medium 	Magnetic HID Ballast 	Vertical Mount Fixture Type  Parking Garage Low Bay

Application Notes

The Lunera HID LED lamp can be used in open and fully enclosed fixtures.

This device is NOT rated for use with dimmers.

Contact Lunera for luminaire level IES files with high bay and low bay fixtures.

Lunera HID LED Lamps supports operation with following ballasts:

Ballast Type	Ballast Input Voltage	Ballast Wattage
Constant Wattage Autotransformer (CWA)	480V ~ 120V	400W ~ 70W

Lunera HID LED lamp does NOT support operations with electronic HID or High-Reactance HID ballasts.

This product is NOT intended for use with emergency lighting or for emergency exit lighting.

Warranty will be VOIDED if the product is installed into/with the following:

- CWA with power rating above 400W
- High-Reactance (HX-HPF) ballasts
- Installed with dimmers
- Electronic HID ballast
- LED Drivers
- Emergency battery backup
- Lamp installation while power is "ON" to the fixture

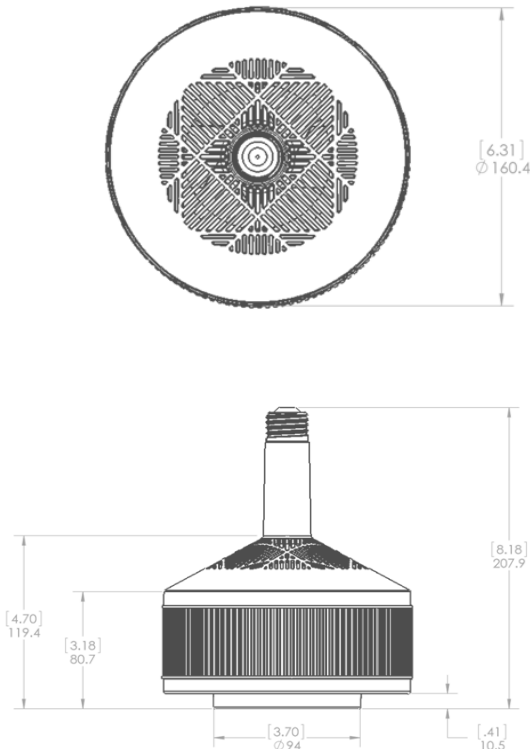
Caution

Turn power off when installing this lamp.

Product Dimensions

Measurements are exact. Dimensions are shown in millimeters and inches. Please contact your Lunera representative for other product dimensions.

Standard Vertical Neck E26 Lamp 9,000lm / 4,500lm



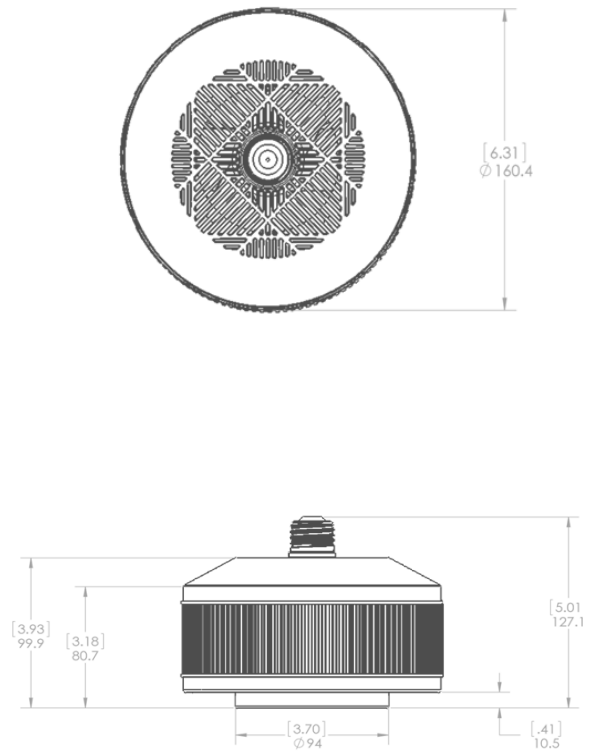
Sample Part Numbers:

SN-V-E26-B-4.5KLM-8XX-G3

SN-V-E26-B-9KLM-8XX-G3

'XX': may be 35 (3500K),
40 (4000K), 50 (5000K)

Vertical Short Neck E26 Lamp 9,000lm / 4,500lm



Sample Part Numbers:

SN-VS-E26-B-4.5KLM-8XX-G3

SN-VS-E26-B-9KLM-8XX-G3

'XX': may be 35 (3500K),
40 (4000K), 50 (5000K)

CAUTION

Turn off power when installing the Lamp.

For FAQ and Technical Support, please visit:
<https://lunera.freshdesk.com/support/home>

© 2016 Lunera Lighting, Inc. All Rights Reserved. Lunera and the Lunera logo are registered trademarks; All other trademarks are the property of their respective owners.

Specifications are subject to change without notice. This document is for informational purposes only.

For Technical Support:

www.lunera.com

T (650) 241-3874

<https://lunera.com/freshdesk.com/support/home>

R11116 © 2016 Lunera® Lighting

