

LUNERA T8 LED U-BENT (2G13)

LED Replacement for Bi-Pin T8 U-Bent Fluorescent Lamp

Line Driven



Description

The LUNERA T8 LED U-Bent is an energy saving, Line Driven linear LED replacement for medium base Bi-Pin T8 U-Bent fluorescent lamps up to 32W. Its built-in universal driver allows lamp operation at 120V ~ 277V.

This beautiful LED lamp emits light over 330° of its surface, has a Color Rendering Index (CRI) of 83 and delivers up to 1,800 and 2,200 lumens of usable light. The Lunera T8 LED U-Bent features a glass tube for improved optics and is available in 3000K, 3500K, 4000K and 5000K color temperatures. It is available with a 6-inch or 2-inch spread.

The Lunera T8 LED U-Bent lamp delivers over 50% energy savings and has a long lifespan rated at 50,000 hours and is supported by a five-year warranty. It contains no mercury allowing for non-hazardous waste disposal.

The Lunera T8 LED U-Bent lamp does not support operation with fluorescent T8 ballast and the 2G13 socket must be wired into AC line voltage.



Features

- Directly replaces up to 32W Bi-Pin T8 U-Bent fluorescent lamps
- Line Driven lamp; supports 120V ~ 277V
- Delivers up to 1,800 and 2,200 lumens of usable light
- >80 CRI
- CCT 3000K, 3500K, 4000K and 5000K
- 50,000 hours life to L70
- 5-Year Warranty



Ordering Information

Example: HN-T8UL-L-22-15W-830-G1

Series	Socket Type	Power Supply	Dimension	Lamp Wattage	CCT	Generation
HN Lunera T8 LED U-Bent Lamp	T8UL U-Bent fixture with medium Bi-Pin T8 socket (2G13) 6" apart. T8US U-Bent fixture with medium Bi-Pin T8 socket (2G13) 2" apart.	L Ballast Bypass Supports 120V~277V	22 22 inch tube	15W Produces 1,800 lumens 18W Produces 2,200 lumens	830 3000 Kelvin 835 3500 Kelvin 840 4000 Kelvin 850 5000 Kelvin	G1 1st Generation Frosted

PROJECT	CONTACT	MODEL NO.
REFERENCE NO.	QUANTITY	DATE

For Technical Support:
<http://bit.ly/lunera-techsupport>

www.lunera.com T (650) 241-3875

Product Specifications

Illumination

Color Temperatures	3000K, 3500K, 4000K, 5000K
Delivered Lumens:	Up to 1,800lm (15W Lamp T8UL) Up to 1,800lm (15W Lamp T8US) Up to 2,200lm (18W Lamp T8UL) Up to 2,200lm (18W Lamp T8US)
CRI	>80
Color Consistency	Lunera TruColor Proprietary Process
Lumen Maintenance (L70)	50,000+ hours life

Electrical System

Power Factor	> 90%
Total Harmonic Distortion	< 20%
Input Voltage	120VAC ~ 277VAC
Total Power	15W 18W
Lamp Wattage Replaced	32W and less
Dimming	No

Physical

Weight	0.50 lbs
Housing and Finish	Glass, White
Optics	Optical Glass Diffusion
Beam Spread	330°
Beam Angle	230°

Environment

Ambient Operating Temp	-40°F to 104°F (-40°C to 40°C)
Ambient Operating Humidity	Dry and Damp Certified

Installation

Socket Type	2G13, Medium Bi-Pin T8 socket (Non-Shunted tombstones)
Line Voltage	YES [120V~277V]

Certifications & Qualifications

UL	Classified / Recognized
RoHS Compliant	Contains no lead or mercury
DLC Listed	No DLC category available
LM79, LM80, IES Files	Available. Contact Lunera.

Warranty

Warranty	5 years
----------	---------

CAUTION

Turn power off when installing the lamp.

CAUTION - IF THE LAMP OR LUMINAIRE EXHIBITS UNDESIRABLE OPERATION (BUZZING, FLICKERING, ETC.), IMMEDIATELY TURN OFF POWER, REMOVE LAMP FROM LUMINAIRE AND CONTACT MANUFACTURER.

For Technical Support:
<http://bit.ly/luneratechsupport>

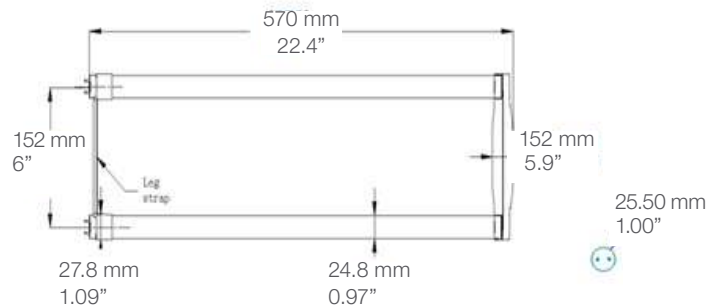
www.lunera.com

T (650) 241-3875

© 2017 Lunera Lighting, Inc. All Rights Reserved. Lunera and the Lunera logo are registered trademarks of Lunera Lighting, Inc. All other trademarks are the property of their respective owners. Specifications are subject to change without notice. This document is for informational purposes only. REV 11917

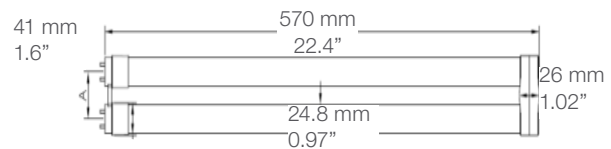
Dimensions

U-Bent with 6" apart 2G13 sockets



15W [1,800lm] | 18W [2,200lm]

U-Bent with 2" apart 2G13 sockets



15W [1,700lm] | 18W [2,100lm]

Application Notes

This lamp does NOT support shunted tombstones.

Shunted tombstones must be removed and replaced with non-shunted tombstones.

Product warranty voids if:

- lamp installed with dimmers
- lamp installed into luminaires with input voltage above 277V
- lamp installed in a fully enclosed fixture
- Incorrect wiring configuration to the lamp
- Lamp installed into fluorescent ballasts or LED Drivers
- Lamp installation into shunted socket
- Lamp installation into cracked, broken, dirty or rusty tombstones

Electrical Connection

Lunera T8 LED U-Bent driven by 120V/277V 60Hz AC.

