

LUNERA HPS LED VERTICAL PASSIVE

LED Replacement for 400W High Pressure Sodium Lamp

Passively Cooled, E39 Mogul Base, Vertical Mount



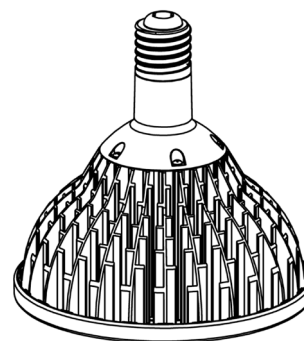
Description

The LUNERA HPS LED Vertical Passive Lamp is a plug-and-play replacement for a High Pressure Sodium (HPS) lamp with an E39 mogul base. With a significantly lower energy consumption than conventional HPS lamps, this passively cooled LED lamp replaces 400W HPS lamps.

Lunera's BallastLED technology makes the lamp truly plug-and-play by allowing it to operate directly off of the existing ballast. Simply replace the existing HPS lamp with the Lunera HPS LED Lamp without making any modifications to the fixture.

The Lunera HPS LED Lamp has a rated life of 50,000 hours – 2 times longer than that of other HPS lamps. This eliminates costly replacement cycles and reduces maintenance costs.

Available in a color temperature of 4000K, the Lunera HPS LED Lamp delivers consistent light levels across its long life, which results in a high quality lighting experience.



400W

Features

- Replaces 400W HPS lamps
- Plug-and-Play installation, with existing installed magnetic ballasts
- Ultra-low energy draw extends existing magnetic ballast life
- Up to 13,000 lumens fixture delivered light output
- 164W lamp power, yields more than 60% energy savings
- >80 CRI
- CCT 4000K
- 50,000 hours to L70 lifespan
- Thermal IQ to support ambient temperatures up to 150°F



Ordering Information

Example: LY-V-E39-MultiW-4000-G2

Series	Version	Socket Type	Lamp Wattage Replaced	CCT	Generation
LY: Lunera HPS LED Lamp	V: Vertical	E39: Fits in mogul (E39) base MH socket	MultiW: Supports 400W ballasts	4000: 4000K	G2: 2nd Generation

PROJECT	CONTACT	MODEL NO.
REFERENCE NO.	QUANTITY	DATE

For Technical Support:

<https://lunera.com/freshdesk.com/support/home>

www.lunera.com T (650) 241-3875

Product Specifications

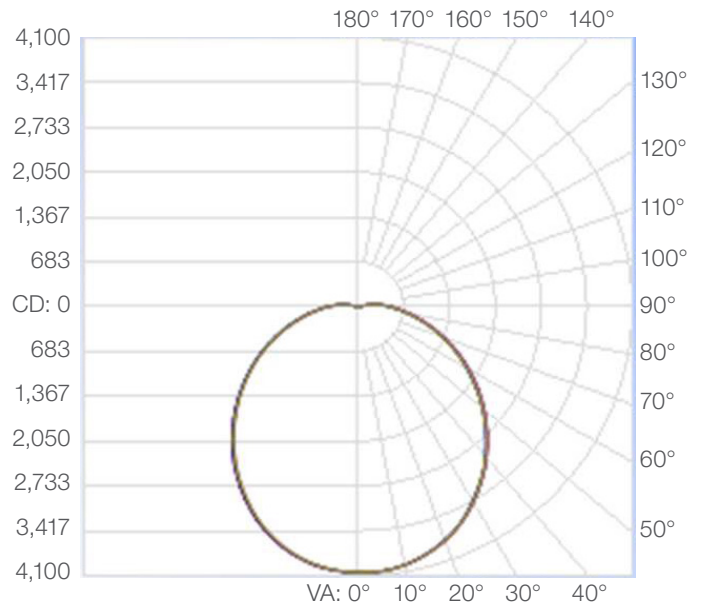
Driven by 400W (S51) Ballast	
Illumination	
Color Temperatures	4000K
Lumens	13,000lm
Color Consistency	Lunera TruColor proprietary process
Lumen Maintenance (L85)	50,000+ hours life
Electrical System	
Input Voltage	Driven by magnetic HPS ballast
Power Consumption	164W
Lamp Wattage Replaced	400W
Physical	
Dimensions (H x W)	9.4" x 8.2"
Weight	3.75 lbs
Housing and Finish	Painted
Heat Sink Size	8"
Environment	
Ambient Temperature	-40°F to 150°F
Humidity rating	Damp OK, no direct water spray
Fixture Type	Open or enclosed
Installation	
Socket Type	Fits vertical mount mogul base (E39/EX39) HPS socket
Certifications & Qualifications	
UL	Recognized US, CAN
RoHS Compliant	Contains no lead or mercury
LM79, LM80, IES Files	Available
Warranty	
Warranty	5 years

Photometry

Vertical lamp photometrics for the Lunera HPS LED Lamp E39 400W.

LM-79 REPORT NO. 101930332LAX-077

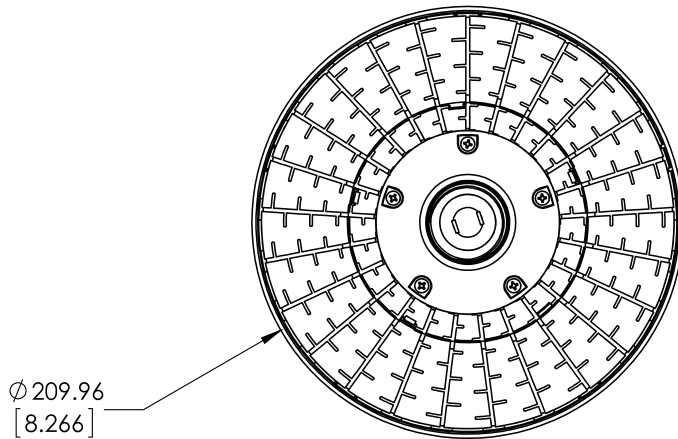
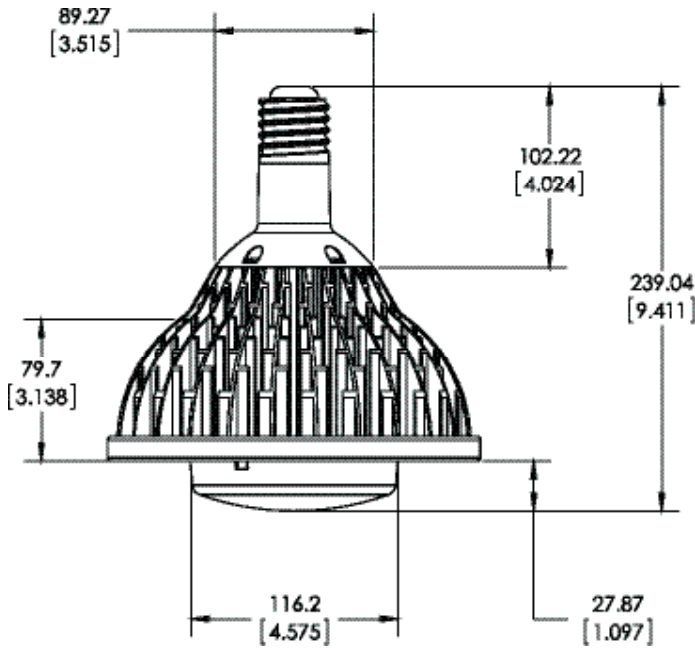
Polar Candela Distribution



Product Dimensions

Measurements are rounded up. Dimensions are shown in mm and [inches]. Please contact your Lunera representative for exact dimensions.

400W



CAUTION

- This lamp is NOT approved for use in line voltage.

For Technical Support:
<https://lunera.com/freshdesk.com/support/home>

www.lunera.com T (650) 241-3875

© 2017 Lunera Lighting, Inc. All Rights Reserved. Lunera and the Lunera logo are registered trademarks; All other trademarks are the property of their respective owners.

REV20617

