

LUNERA T8 LED 4FT UTT

LED Replacement for Bi-Pin 4FT T8 Fluorescent Lamp

Line Driven - Universal Tombstone Technology



Description

The LUNERA T8 LED 4FT UTT (UL Type B) is an energy saving, Line Driven, linear LED replacement for a 32W, 4FT medium base Bi-Pin T8 fluorescent lamp. Its built-in universal driver allows lamp operation at 120V ~ 277V. Lunera's Universal Tombstone Technology (UTT) allows lamp installation into shunted and non-shunted G13 tombstones.

This lamp emits beautiful LED light over 330° of its surface. It has a Color Rendering Index (CRI) of 83 and delivers up to 1,800 and 2,200 lumens of usable beautiful light. The Lunera T8 LED features a glass tube for improved optics and is available in 3000K, 3500K, 4000K and 5000K color temperatures.

The Lunera T8 LED delivers over 50% energy savings and has a long lifespan rated at 50,000 hours and is supported by a five-year warranty. It contains no mercury allowing for non-hazardous waste disposal.

The Lunera T8 LED (UL Type B) does not support fluorescent T8 ballasts and G13 Lamp sockets must be wired into AC line voltage.

Features

- Directly replaces 32W 4FT Bi-Pin T8 fluorescent lamps
- Line-Driven Lamp (ballast bypassed); supports 120V ~ 277V
- Universal Tombstone Technology supports lamp installation in shunted and non-shunted G13 tombstones
- Delivers up to 1,800 and 2,200 lumens of usable light
- >80 CRI
- CCT 3000K, 3500K, 4000K and 5000K
- 50,000 hours life to L70
- 5-Year Warranty



HN-T8-L-48-14W-840-G1-UT

Ordering Information

Series	Socket Type	Power Supply	Dimension	Lamp Wattage	CCT	Generation	Feature
HN Lunera T8 LED	T8 Fixture with medium, Bi- Pin T8 socket	L Line Driven (Ballast Bypassed) Supports 120V~277V	48 48 inch tube	14W 1,800 lumens 17W 2,200 lumens	830 3000 Kelvin 835 3500 Kelvin 840 4000 Kelvin 850 5000 Kelvin	G1 1st Generation Frosted	UT Universal Tombstone (Supports shunted and non-shunted tombstones)

PROJECT	CONTACT	MODEL NO.
REFERENCE NO.	QUANTITY	DATE

Product Specifications

Illumination

Color Temperatures	3000K, 3500K, 4000K, 5000K
Delivered Lumens:	Up to 1,800lm / 14W Up to 2,200lm / 17W
CRI	>80
Color Consistency	Lunera TruColor Proprietary Process
Lumen Maintenance (L70)	50,000+ hours life

Electrical System

Power Factor	> 90%
Total Harmonic Distortion	< 20%
Input Voltage	120V ~ 277V 50/60Hz AC Line Voltage
Total Power	14W, 17W
Lamp Wattage Replaced	32W and less
Dimming	No

Physical

Weight	0.45 lbs
Housing and Finish	Glass, White
Optics	Optical Glass Diffusion
Beam Spread	330°
Beam Angle	230°

Environment

Ambient Operating Temp	-40°F to 104°F (-40°C to 40°C)
Ambient Operating Humidity	Dry and Damp Certified

Installation

Socket Type	Medium Bi-Pin T8 socket (Shunted or Non-Shunted Tombstone)
Line Voltage	Yes [120V ~ 277V]

Certifications & Qualifications

UL	Classified / Recognized US and Canada
RoHS Compliant	Contains no lead or mercury
DLC Listed	Pending
LM79, LM80, IES Files	Available. Contact Lunera.

Warranty

Warranty	5 years
----------	---------

CAUTION

Turn power off when installing the lamp.

CAUTION - IF THE LAMP OR LUMINAIRE EXHIBITS UNDESIRABLE OPERATION (BUZZING, FLICKERING, ETC.), IMMEDIATELY TURN OFF POWER, REMOVE LAMP FROM LUMINAIRE AND CONTACT MANUFACTURER.

For Technical Support:

<https://lunera.com/freshdesk.com/support/home>

© 2017 Lunera Lighting, Inc. All Rights Reserved. Lunera and the Lunera logo are registered trademarks; All other trademarks are the property of their respective owners. Specifications are subject to change without notice. This document is for informational purposes only.

REV11917

Dimensions



Application Notes

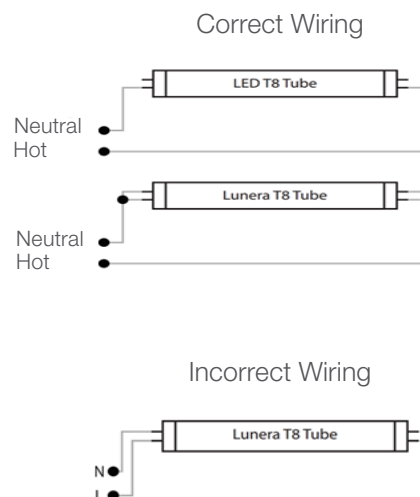
Lunera Universal Tombstone Technology allows lamp installation into shunted or non-shunted G13 tombstones.

Product warranty will be voided under the following conditions or if installed into the following applications:

- Line voltage above 277VAC
- LED Drivers
- Fully enclosed fixtures
- Dirty, rusty, or wet environment
- Broken or cracked tombstones
- Improper wiring to the tombstones/lamp

Electrical Connection

Lunera T8 LED driven by 120V/277V 60Hz AC



www.lunera.com T (650) 241-3875