

# LUNERA T8 LED 3FT UTT

## LED Replacement for Bi-Pin 3FT T8 Fluorescent Lamp

Line Driven - Universal Tombstone Technology



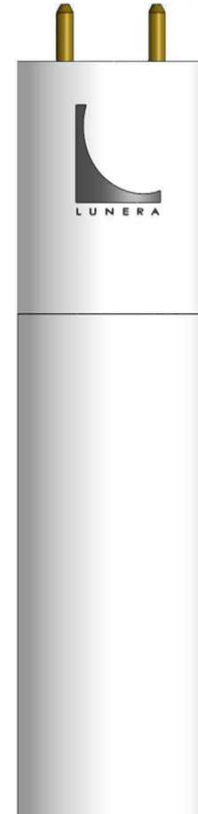
### Description

The LUNERA T8 LED 3FT UTT (UL Type B) is an energy saving, Line Driven, linear LED replacement for a 30W/25W/21W, 3FT medium base Bi-Pin T8 fluorescent lamp. Its built-in universal driver allows lamp operation at 120V ~ 277V. Lunera's Universal Tombstone Technology (UTT) allows lamp installation into shunted and non-shunted G13 tombstones.

This lamp emits beautiful LED light over 330° of its surface. It has a Color Rendering Index (CRI) of 83 and delivers up to 1,450 lumens of usable beautiful light. The Lunera T8 LED features a glass tube for improved optics and is available in 3000K, 3500K, 4000K and 5000K color temperatures.

The Lunera T8 LED delivers over 50% energy savings. It has a long lifespan rated at 50,000 hours and is supported by a five-year warranty. It contains no mercury allowing for non-hazardous waste disposal.

The Lunera T8 LED (UL Type B) does not support fluorescent T8 ballasts and G13 Lamp sockets must be wired into AC line voltage.



### Features

- Directly replaces 30W/25W/21W 3FT Bi-Pin T8 fluorescent lamps
- Line-Driven Lamp (ballast bypassed); supports 120V ~ 277V
- Universal Tombstone Technology supports lamp installation in shunted and non-shunted G13 tombstones
- Delivers up to 1,450 lumens of usable light
- >80 CRI
- CCT 3000K, 3500K, 4000K and 5000K
- 50,000 hours life to L70
- 5-Year Warranty



### Ordering Information

HN-T8-L-36-12W-840-G1-UT

Series	Socket Type	Power Supply	Dimension	Lamp Wattage	CCT	Generation	Feature
<b>HN</b> Lunera T8 LED	<b>T8</b> Fixture with medium, Bi-Pin T8 socket	<b>L</b> Line Driven (Ballast Bypassed) Supports 120V~277V	<b>36</b> 36 inch tube	<b>12W</b> 1,450 lumens	<b>830</b> 3000 Kelvin <b>835</b> 3500 Kelvin <b>840</b> 4000 Kelvin <b>850</b> 5000 Kelvin	<b>G1</b> 1st Generation Frosted	<b>UT</b> Universal Tombstone  (Supports Shunted and non-shunted tombstones)

PROJECT	CONTACT	MODEL NO.
REFERENCE NO.	QUANTITY	DATE

For Technical Support:

[www.lunera.com](http://www.lunera.com)

T (650) 241-3874

1 of 2

<https://lunera.com/freshdesk.com/support/home>

## Product Specifications

### Illumination

Color Temperatures	3000K, 3500K, 4000K, 5000K
Delivered Lumens:	Up to 1,450lm
CRI	>80
Color Consistency	Lunera TruColor Proprietary Process
Lumen Maintenance (L70)	50,000+ hours life

### Electrical System

Power Factor	> 90%
Total Harmonic Distortion	< 20%
Input Voltage	120V ~ 277V 50/60Hz AC Line Voltage
Total Power	12W
Lamp Wattage Replaced	30W and less
Dimming	No

### Physical

Weight	0.35 lbs
Housing and Finish	Glass, White
Optics	Optical Glass Diffusion
Beam Spread	330°
Beam Angle	230°

### Environment

Ambient Operating Temp	-40°F to 104°F (-40°C to 40°C)
Ambient Operating Humidity	Dry and Damp Certified

### Installation

Socket Type	Medium Bi-Pin T8 socket (Shunted or Non-Shunted Tombstone)
Line Voltage	Yes [120V ~ 277V]

### Certifications & Qualifications

UL	Classified / Recognized US and Canada
RoHS Compliant	Contains no lead or mercury
DLC Listed	Pending
LM79, LM80, IES Files	Available. Contact Lunera.

### Warranty

Warranty	5 years
----------	---------

## CAUTION

Turn power off when installing the lamp.

**CAUTION** - IF THE LAMP OR LUMINAIRE EXHIBITS UNDESIRABLE OPERATION (BUZZING, FLICKERING, ETC.), IMMEDIATELY TURN OFF POWER, REMOVE LAMP FROM LUMINAIRE AND CONTACT MANUFACTURER.

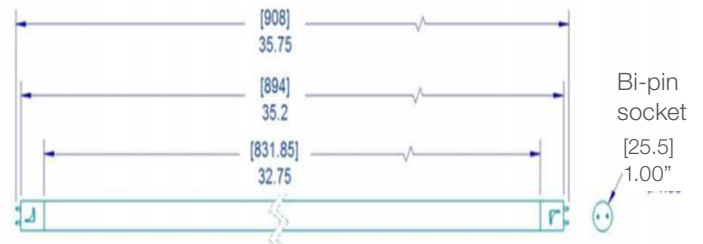
### For Technical Support:

<https://lunera.com/freshdesk.com/support/home>

© 2017 Lunera Lighting, Inc. All Rights Reserved. Lunera and the Lunera logo are registered trademarks; All other trademarks are the property of their respective owners. Specifications are subject to change without notice. This document is for informational purposes only.

REV11317

## Dimensions



## Application Notes

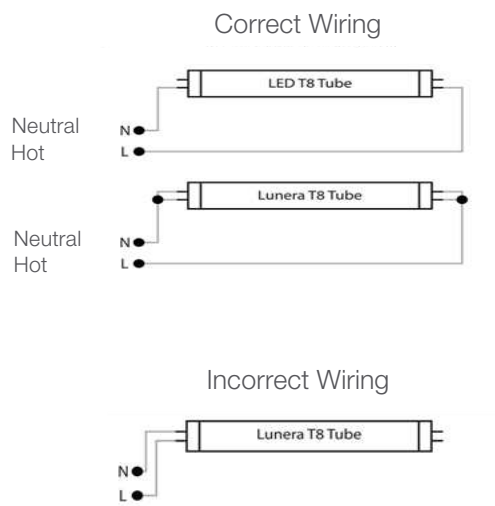
Lunera Universal Tombstone Technology allows lamp installation into shunted or non-shunted G13 tombstones.

Product warranty will be voided under the following conditions or if installed into the following applications:

- Line voltage above 277VAC
- LED Drivers
- Fully enclosed fixtures
- Dirty, rusty, or wet environment
- Broken or cracked tombstones
- Improper wiring to the tombstones/lamp

## Electrical Connection

Lunera T8 LED driven by 120V/277V 60Hz AC



[www.lunera.com](http://www.lunera.com) T (650) 241-3875