

LUNERA T8 LED 4FT (UL TYPE B)

Installation Guide

Line Driven (Ballast Bypassed)



Product Description:

Line Driven T8 LED Lamp HN-T8-L-48-15W-8YY-G1 (G1P).

The LUNERA T8 LED 4FT is an LED replacement for a 32W Bi-Pin T8 fluorescent lamp. Its built-in universal driver allows lamp operation at 120V ~ 277V.

This lamp only supports non-shunted tombstones. Shunted tombstones must be replaced with non-shunted tombstones when installing this lamp.

This lamp is NOT rated for use with electronic T8 fluorescent ballasts.



Installation Instruction - Ballast Bypass (Type B)

1. Turn power off to the fixture.
2. Remove existing T8 fluorescent lamp from the fixture.
3. Remove the T8 fluorescent ballast from the fixture.
4. (Only if fixture contains shunted tombstones) Change shunted tombstones to non-shunted tombstones. (See Diagram 1)
5. Find the end cap with L and N marking.
6. Connect hot wire only to the pin with L marking and neutral wire to N marking. (See Diagram 2)
6. Install the Lunera T8 LED. Make sure that L marking latched to the side of tombstone is connected to hot (120V/277V) wire. (See Diagram 2)
7. Apply re-lamping label on a visible location inside the fixture.
8. Turn power on.

Do NOT connect this lamp to shunted tombstones.



For Technical Support:

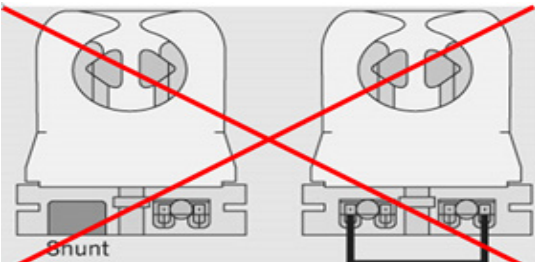
<https://lunera.com/freshdesk.com/support/home>

www.lunera.com

T (650) 241-3875

Diagram 1:

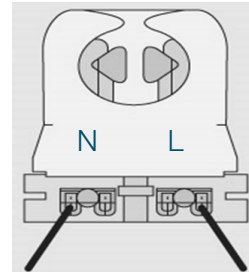
Shunted Tombstone - Not Compatible



The lamp is not compatible with Shunted tombstones.

Instant Start electronic ballasts require shunted tombstones; if the existing fixture contains an instant start ballast, change shunted tombstones to non-shunted.

Non-Shunted Tombstone - Compatible

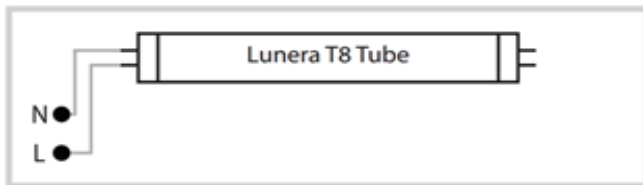


On the end cap, the pin with 'L' marking must be latched into the side of tombstone connected to the hot wire. 'N' marked pin must be latched into the side of tombstone connected to neutral wire.

Majority of Rapid Start and Programmed Start ballasts use non-shunted tombstones.

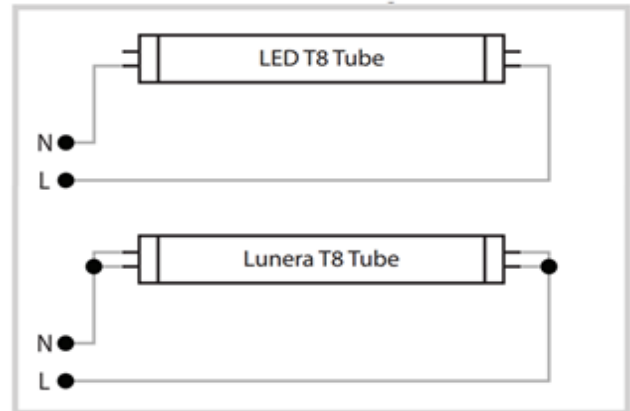
Diagram 2:

Correct Wiring



On the end cap, the pin with 'L' marking must be latched into the side of tombstone connected to hot wire. 'N' marked pin must be latched into the side of tombstone connected to the neutral wire.

Incorrect Wiring



General Safety Information

READ AND FOLLOW ALL SAFETY INSTRUCTIONS

DANGER - RISK OF SHOCK - TURN POWER OFF BEFORE INSTALLATION

WARNING - IF THE LAMP OR LUMINAIRE EXHIBITS UNDESIRABLE OPERATION (BUZZING, FLICKERING, ETC) IMMEDIATELY TURN OFF POWER, REMOVE LAMP FROM LUMINAIRE AND CONTACT MANUFACTURER.

CETTE LAMPE OPERE SEULEMENT AVEC LE BALLAST ELECTRONIQUE. SI LA LAMPE NE S'ALLUME PAS QUAND L'APPAREIL D'ECLAIRAGE ACTIVE, ENLEVEZ LA LAMPE DE L'APPAREIL D'ECLAIRAGE ET CONTACTEZ LE FABRICANT DE LAMPE OU UN ELECTRICIEN QUALIFE.

CAUTION - RISK OF FIRE - IF INSTALLING THIS LAMP IN A PRE-HEAT LUMINAIRE, REMOVE THE AUTOMATIC STARTERS FROM THEIR HOLDERS BEFORE INSTALLING THE LAMP.

ATTENTION RISQUE DE FEU - SI LA LAMPE OU LE LUMINAIRE MONTRE DESIGNES D'OPERATION UNDESIRABLE (BRUIT, VIBRATION, CLIGNOTEMENT, ETC), ALORS COUPER IMMEDIATEMENT LE COURANT ET ENLEVER LA LAMPE DE L'APPAREIL D'ECLAIRAGE ENTRER EN CONTACT AVEC LE FABRICANT.

DO NOT INSTALL THIS LAMP IN A PRE-HEAT LUMINAIRE.

CAUTION - DO NOT INSTALL THIS LAMP INTO LINE VOLTAGE ABOVE 277VAC.

Lamp installation into voltages above 277VAC VOIDS the warranty.

Lamp installation into cracked or broken tombstones VOIDS the warranty

Do not install this lamp into a fully enclosed fixture.

Turn power off to the fixture when making modification to the fixture.