

LUNERA HID LED RETROFIT KIT

Installation Guide

Line Driven (UL Type B) / Hardwire Retrofit Kit



Product Description:

Line Driven (ballast bypass) LED Retrofit Kit replacement of 400W-70W HID lamps.

Read this install guide carefully prior to Retrofit Kit installation.

Product SKU on the product must match one of the following SKUs:

Product SKU	Luminous Flux	Avg. Lamp Power	Base Type
SN/SNSA-V-PIN-L-20klm-8XX-G3	20,000lm	230W	Hardwire
SN/SNSA-V-PIN-L-15klm-8XX-G3	15,000lm	164W	Hardwire



Hardwire Retrofit Kit
Up to 20,000lm

Installation Instruction - Ballast Bypass Retrofit Kit

1. Turn power off to the fixture.
2. Remove existing HID lamp from the fixture.
3. Follow the steps below to remove the existing HID ballast and Socket.
 - Step 1: Remove the fixture's reflector. [See Figure 1a]
 - Step 2: Remove the reflector's bracket, E39 or E26 socket and all associated hardware. [Do Not dispose the reflector and its bracket]
 - Step 3: Open the HID ballast case.
 - Step 4: Disconnect Line Voltage (Hot Wire) from the HID ballast [See Figure 1b].
 - Step 5: Disconnect Neutral (COM) from the HID ballast.
 - Step 6: Remove the entire HID ballast.
 - Step 7: Leave line and neutral wires in the ballast case.
4. Close the ballast case and follow the steps below to install Lunera HID LED Retrofit Kit Lamp.
 - Step 1: Re-install reflector bracket to the ballast case [See Figure 2a].
 - Step 2: Screw the catch plate onto the reflector's bracket [See Figure 2a].
 - Step 3: Re-install the reflector [See Figure 2b].
 - Step 4: Install the Lunera HID LED Retrofit Kit by threading lamp's input wires through ballast case and latching its base into the catch plate. Secure the lamp in luminaire by using 6-20 self-tapping screws.
 - Step 5: Make sure all connections between lamp's input wires and line voltage are made in the ballast junction box [See figure 3].
 - Step 6: Attach the product lanyard to the existing fixture and apply re-lamping label on a visible location inside the fixture.
 - Step 7: Turn power on.
 - Step 8: Minimum luminaire dimension for this product is 22.86 CM (9") X 22.86 CM (9") X 15.24 CM (6") [Luminaire mfg and PN: Lithonia THD 400S PA22 TB]






Hardwire Retrofit Kit
Up to 9,000lm



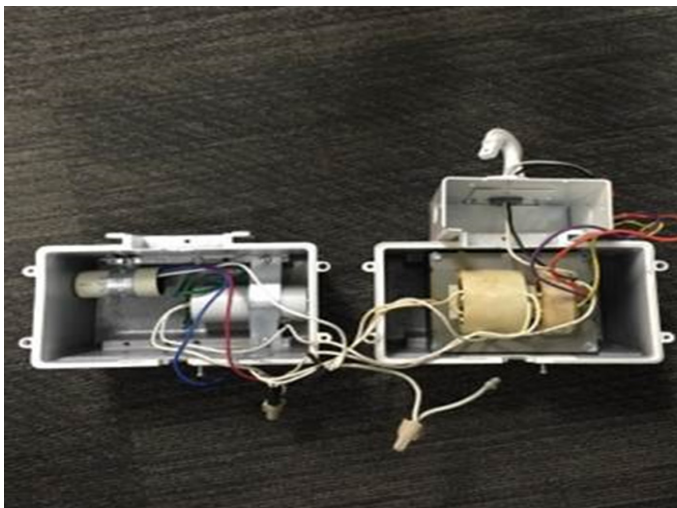
Incompatible Applications

Installation of the Lunera HID LED Retrofit Kit in **INCOMPATIBLE** applications may cause the lamp to flicker, strobe, or fail entirely (Installation in the following applications will VOID the warranty.)

Voltage Incompatibilities	Incompatible Power Sources
 <p>NOT acceptable to install this lamp into line voltage above 277VAC (480V or 347V)</p>	<p>Electronic Ballast</p> <p>Magnetic Ballast</p> <p>External LED Driver</p>  

“SN/SNSA-V-PIN-L-20KLM-8XX-G3” RETROFIT KIT IS NOT RATED FOR USE WITH ENCLOSED FIXTURES.

Installation Instructions:



Open the ballast case to bypass the HID ballast. Leave the Hot and Neutral wires in the junction box attached to the top of ballast case. [Refers to “figure 1b”; step 3 ~ step 5]



Remove the entire HID ballast. Leave Hot and Neutral in the junction box above ballast’s case.

Follow the steps and instructions in the next page to properly install this retrofit kit. [Refers to “figure 1b”; step 5 ~ step 7]

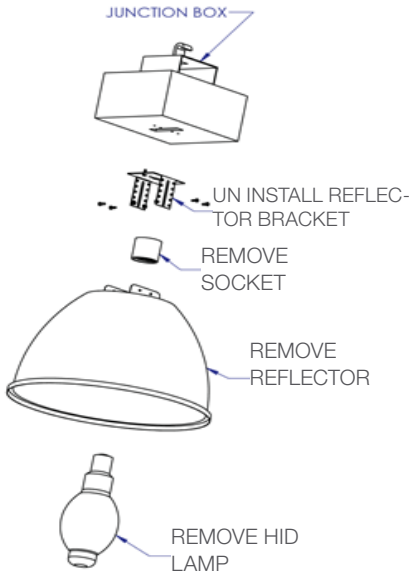


Figure 1a (Above)

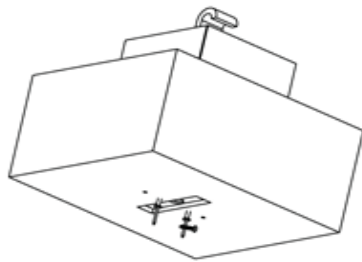


Figure 2a (Above)

Figure 3 (Right): Fully installed Lunera HID LED retrofit Kit Lamp. Make sure all connection between line voltage and lamp's wires are made in the junction box NOT the ballast case.

Attach the product lanyard to the existing fixture.

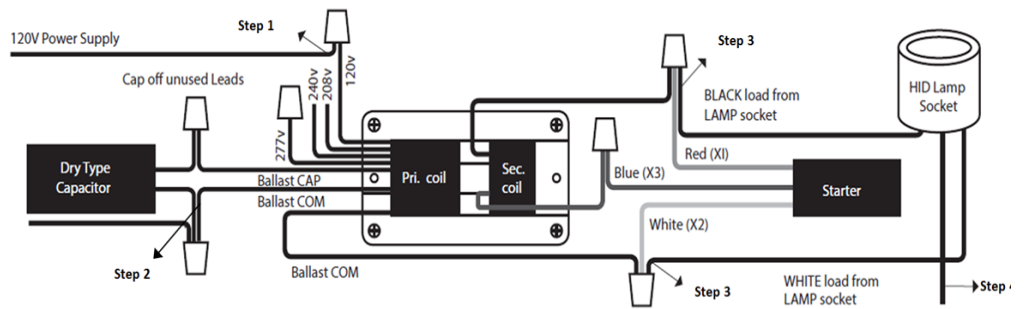


Figure 1a: (Left) Remove the HID lamp, reflector, socket, reflector bracket, and associated hardware.

Open the ballast case to bypass the HID ballast. Leave the Hot and Neutral wires in the junction box attached to the top of ballast case. Remove the entire HID ballast.

Figure 1b: (Above) Bypassing the magnetic HID ballast. Follow steps 4 through 7 in the instructions to bypass the HID ballast.

Figure 2a (Below)

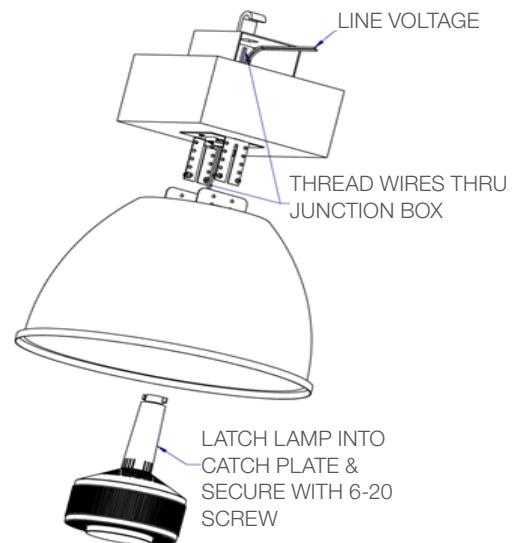


Figure 2a: (Left) After removing HID ballast, re-assemble the ballast case. Re-install the reflector's bracket. Screw the "catch plate" shown in the picture to the bracket and ballast case. (Use the existing 8-32 screws of ballast case to install the catch plate)

Figure 2b: (Right) Lamp installation to retrofit system. Thread lamp's 2 input wires through the ballast junction box. Latch the lamp into catch plate. Secure the lamp by using 6-20 screw.

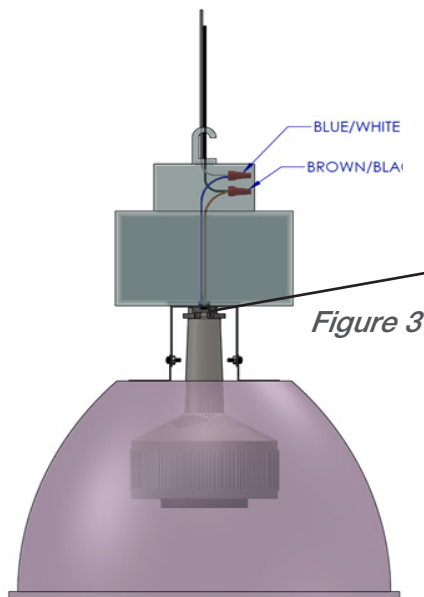


Figure 3

General Safety Information

READ AND FOLLOW ALL SAFETY INSTRUCTIONS

WARNING - RISK OF FIRE OR ELECTRIC SHOCK. LED RETROFIT KIT INSTALLATION REQUIRES KNOWLEDGE OF LUMINAIRE ELECTRICAL SYSTEM. IF NOT QUALIFIED, DO NOT ATTEMPT INSTALLATION. CONTACT A QUALIFIED ELECTRICIAN.

WARNING - IF THE LAMP OR LUMINAIRE EXHIBITS UNDESIRABLE OPERATION (BUZZING, FLICKERING, ETC) IMMEDIATELY TURN OFF POWER, REMOVE LAMP FROM LUMINAIRE AND CONTACT MANUFACTURER.

WARNING - RISK OF FIRE OR ELECTRIC SHOCK. INSTALL THIS KIT ONLY IN LUMINAIRE THAT HAVE THE CONSTRUCTION FEATURES AND DIMENSIONS SHOWN IN PRODUCT SPECIFICATION SHEET AND/OR DRAWINGS AND WHERE THE INPUT RATING OF THE RETROFIT KIT DOES NOT EXCEED THE INPUT RATING OF THE LUMINAIRE.

“DO NOT MAKE OR ALTER ANY OPEN HOLES IN AN ENCLOSURE OF WIRING OR ELECTRICAL COMPONENTS DURING KIT INSTALLATION.”

THIS LAMP IS NOT INTENDED FOR USE WITH HID BALLAST OR EXTERNAL LED DRIVER. LAMP INSTALLATION WITH EXTERNAL DRIVER OR HID BALLAST VOIDS THE PRODUCT WARRANTY.

WARNING - TO PREVENT WIRING DAMAGE OR ABRASION, DO NOT EXPOSE WIRING TO EDGES OF SHEET METAL OR OTHER SHARP OBJECTS.

CAUTION - DO NOT INSTALL THIS LAMP TO LINE VOLTAGE ABOVE 277VAC. THIS LAMP SUPPORTS 120VAC-277VAC VOLTAGE RANGE.

THIS DEVICE IS NOT INTENDED FOR USE WITH EMERGENCY EXITS or NOT FOR EMERGENCY LIGHTING.

For SN/SNSA-V-PIN-L-20klm-8XX-G3 (Open Bottom Only)

LUMINAIRE WITH DOME SHADE WITH OVERALL, MIN. 38 CM (15”) DIAM. AT THE BOTTOM, TAPERING TO 16.5 CM (6.5”) DIAM. ON TOP. MAX. 27.9 (11”) CM DEPTH. (OPEN BOTTOM)

For SN/SNSA-V-PIN-L-15klm-8XX-G3, SN-VS-PIN-L-9klm-8XX-G3 (Close Bottom)

LUMINAIRE WITH DOME SHADE WITH OVERALL, MIN. 38 CM (15”) DIAM. AT THE BOTTOM, TAPERING TO 16.5 CM (6.5”) DIAM. ON TOP. MAX. 36.8 CM (14.5”) DEPTH.

(CLOSE BOTTOM)